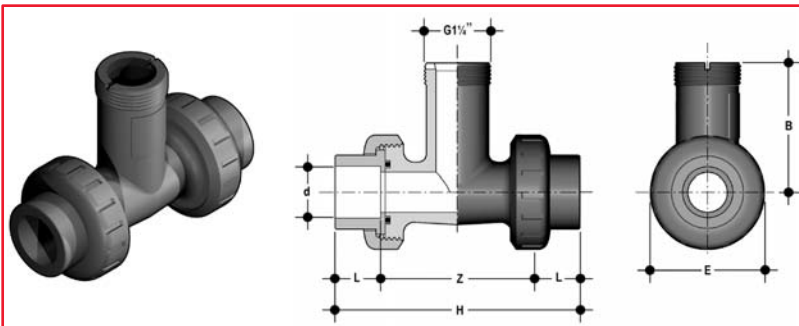
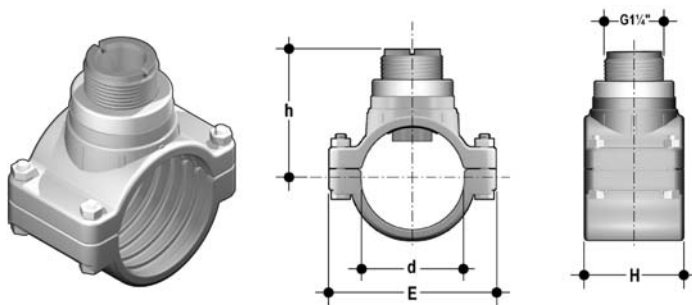


## Installation on PVC pipes



ISO Metric PVC Tee Fittings (female ends for solvent welding)

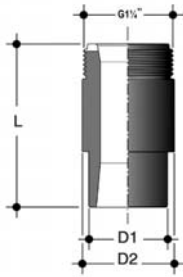
Part No	DN	d	O-Ring	H	Z	L	B	E	Sensor Length
TFIV20B	15	20	EPDM	113	81	16	73	53	L0
TFIV25B	20	25	EPDM	126	88	19	80	62	L0
TFIV32B	25	32	EPDM	139.5	95.5	22	81	71	L0
TFIV40B	32	40	EPDM	170	118	26	84	84	L0
TFIV50B	40	50	EPDM	199	137	31	82.5	98	L0
TFIV20D	15	20	FPM	113	81	16	73	53	L0
TFIV25D	20	25	FPM	126	88	19	80	62	L0
TFIV32D	25	32	FPM	139.5	95.5	22	81	71	L0
TFIV40D	32	40	FPM	170	118	26	84	84	L0
TFIV50D	40	50	FPM	199	137	31	82.5	98	L0



ISO Metric Clamp Saddles

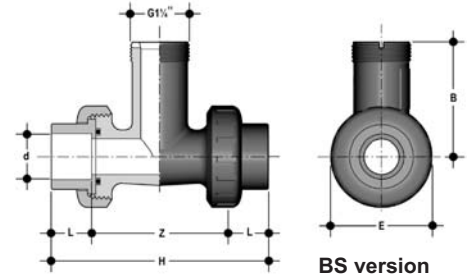
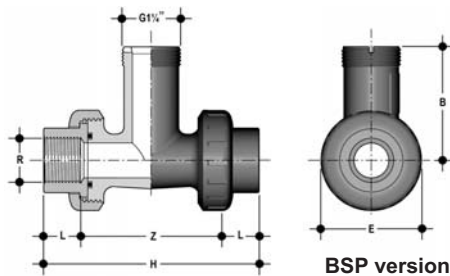
Part No	DN	d	O-Ring	Body	Insert	E	h	H	Drilling hole	Sensor Length
SCIC063BVC	50	63	EPDM	CPVC	CPVC	116	86.7	105	35	L0
SCIC075BVC	65	75	EPDM	CPVC	CPVC	134	90.8	105	35	L0
SCIC090BVC	80	90	EPDM	CPVC	CPVC	152	95.9	105	40	L0
SCIC110BVC	100	110	EPDM	CPVC	CPVC	176	102.8	105	40	L0
SCIC125BVC	110	125	EPDM	CPVC	CPVC	190	137.9	112	40	L1
SCIC140BVC	125	140	EPDM	CPVC	CPVC	214	143.1	114	40	L1
SCIC160BVC	150	160	EPDM	CPVC	CPVC	238	149.9	120	40	L1
SCIC200BVC	180	200	EPDM	CPVC	CPVC	300	163.7	133	40	L1
SCIC225BVC	200	225	EPDM	CPVC	CPVC	333	172.3	125	40	L1
SCIC063DVC	50	63	FPM	CPVC	CPVC	116	86.7	105	35	L0
SCIC075DVC	65	75	FPM	CPVC	CPVC	134	90.8	105	35	L0
SCIC090DVC	80	90	FPM	CPVC	CPVC	152	95.9	105	40	L0
SCIC110DVC	100	110	FPM	CPVC	CPVC	176	102.8	105	40	L0
SCIC125DVC	110	125	FPM	CPVC	CPVC	190	137.9	112	40	L1
SCIC140DVC	125	140	FPM	CPVC	CPVC	214	143.1	114	40	L1
SCIC160DVC	150	160	FPM	CPVC	CPVC	238	149.9	120	40	L1
SCIC200DVC	180	200	FPM	CPVC	CPVC	300	163.7	133	40	L1
SCIC225DVC	200	225	FPM	CPVC	CPVC	333	172.3	125	40	L1
SMIC250IVC	225	250	NBR	PP	CPVC	324	203.5	79	40	L0
SMIC280IVC	250	280	NBR	PP	CPVC	385	212.2	88	40	L1
SMIC315IVC	280	315	NBR	PP	CPVC	385	220.1	88	40	L1

## Installation on PVC pipes



### PVC Glue-on Fittings

Part No	DN	d	L	D1	D2	Drilling hole	Sensor Length
WAIV063	50	63	68.5	40	50	40	L0
WAIV075	65	75	68.5	40	50	40	L0
WAIV090	80	90	68.5	40	50	40	L0
WAIV110	100	110	68.5	40	50	40	L0
WAIV125	110	125	68.5	40	50	40	L0
WAIV140	125	140	68.5	40	50	40	L0
WAIV160	150	160	68.5	40	50	40	L0
WAIV200	180	200	68.5	40	50	40	L0
WAIV225	200	225	68.5	40	50	40	L0
WAIV250	225	250	98.5	40	50	40	L1
WAIV280	250	280	98.5	40	50	40	L1
WAIV315	280	315	98.5	40	50	40	L1



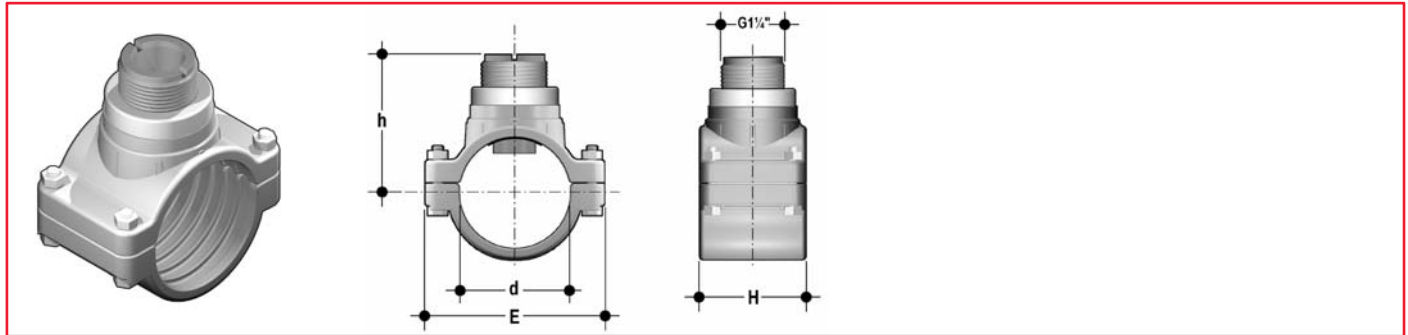
### BSP Female Threaded PVC Tee Fittings (parallel threaded female ends)

Part No	DN	R	O-Ring	H	Z	L	B	E	Sensor Length
TFFV20B	15	1/2"	EPDM	118.5	88.5	15	73	53	L0
TFFV25B	20	3/4"	EPDM	127.5	94.9	16.3	80	62	L0
TFFV32B	25	1"	EPDM	146	107.8	19.1	81	71	L0
TFFV40B	32	1 1/4"	EPDM	177	134.2	21.4	84	84	L0
TFFV50B	40	1 1/2"	EPDM	191	148.2	21.4	82.5	98	L0
TFFV20D	15	1/2"	FPM	118.5	88.5	15	73	53	L0
TFFV25D	20	3/4"	FPM	127.5	94.9	16.3	80	62	L0
TFFV32D	25	1"	FPM	146	107.8	19.1	81	71	L0
TFFV40D	32	1 1/4"	FPM	177	134.2	21.4	84	84	L0
TFFV50D	40	1 1/2"	FPM	191	148.2	21.4	82.5	98	L0

### BS Solvent Welding PVC Tee Fittings (female ends for solvent welding)

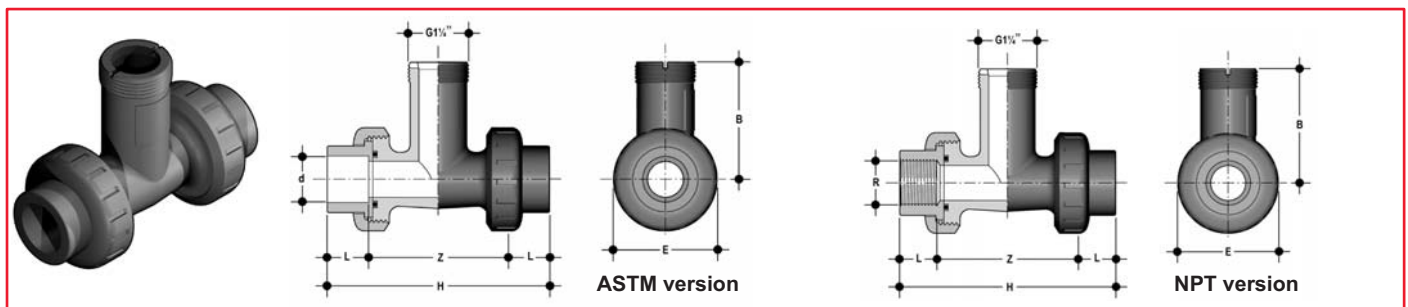
Part No	DN	d	O-Ring	H	Z	L	B	E	Sensor Length
TFLV20B	15	1/2"	EPDM	113	80	16.5	73	53	L0
TFLV25B	20	3/4"	EPDM	126	88	19	80	62	L0
TFLV32B	25	1"	EPDM	139.5	94.5	22.5	81	71	L0
TFLV40B	32	1 1/4"	EPDM	170	118	26	84	84	L0
TFLV50B	40	1 1/2"	EPDM	199	139	30	82.5	98	L0
TFLV20D	15	1/2"	FPM	113	80	16.5	73	53	L0
TFLV25D	20	3/4"	FPM	126	88	19	80	62	L0
TFLV32D	25	1"	FPM	139.5	94.5	22.5	81	71	L0
TFLV40D	32	1 1/4"	FPM	170	118	26	84	84	L0
TFLV50D	40	1 1/2"	FPM	199	139	30	82.5	98	L0

## Installation on PVC pipes



### BS Clamp Saddles

Part No	DN	d	O-Ring	Body	Insert	E	h	H	Drilling hole	Sensor Length
SCLC2.0BVM	50	2"	EPDM	CPVC	CPVC	116	85.3	105	35	L0
SCLC3.0BVM	80	3"	EPDM	CPVC	CPVC	152	95.0	105	40	L0
SCLC4.0BVM	100	4"	EPDM	CPVC	CPVC	176	103.5	105	40	L0
SCLC6.0BVM	150	6"	EPDM	CPVC	CPVC	238	151.7	120	40	L1
SCLC8.0BVM	200	8"	EPDM	CPVC	CPVC	333	169.8	125	40	L1
SCLC2.0DVM	50	2"	FPM	CPVC	CPVC	116	85.3	105	35	L0
SCLC3.0DVM	80	3"	FPM	CPVC	CPVC	152	95.0	105	40	L0
SCLC4.0DVM	100	4"	FPM	CPVC	CPVC	176	103.5	105	40	L0
SCLC6.0DVM	150	6"	FPM	CPVC	CPVC	238	151.7	120	40	L1
SCLC8.0DVM	200	8"	FPM	CPVC	CPVC	333	169.8	125	40	L1



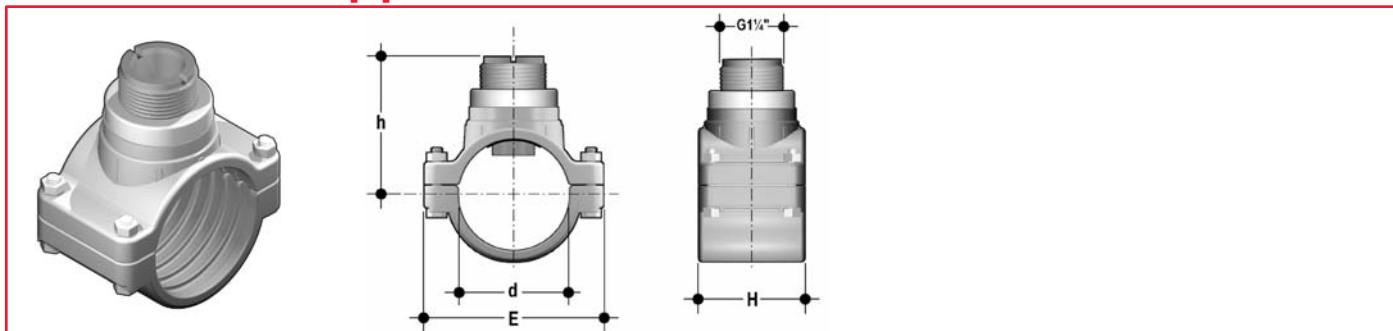
### ASTM SCH. 80 PVC Tee Fittings (female ends for solvent welding)

Part No	Size	d	O-Ring	H	Z	L	B	E	Sensor Length
TFAV20B	0.50"	0.85"	EPDM	4.92"	3.15"	0.89"	2.87"	2.09"	L0
TFAV25B	0.75"	1.06"	EPDM	5.51"	3.50"	1.00"	3.15"	2.44"	L0
TFAV32B	1.00"	1.33"	EPDM	6.04"	3.78"	1.13"	3.19"	2.80"	L0
TFAV40B	1.25"	1.67"	EPDM	7.34"	4.80"	1.26"	3.31"	3.31"	L0
TFAV50B	1.50"	1.91"	EPDM	8.15"	5.39"	1.38"	3.25"	3.86"	L0
TFAV20D	0.50"	0.85"	FPM	4.92"	3.15"	0.89"	2.87"	2.09"	L0
TFAV25D	0.75"	1.06"	FPM	5.51"	3.50"	1.00"	3.15"	2.44"	L0
TFAV32D	1.00"	1.33"	FPM	6.04"	3.78"	1.13"	3.19"	2.80"	L0
TFAV40D	1.25"	1.67"	FPM	7.34"	4.80"	1.26"	3.31"	3.31"	L0
TFAV50D	1.50"	1.91"	FPM	8.15"	5.39"	1.38"	3.25"	3.86"	L0

### NPT Female Threaded PVC Tee Fittings (NPT threaded female ends)

Part No	Size	R	O-Ring	H	Z	L	B	E	Sensor Length
TFNV20B	0.50"	1/2"	EPDM	4.67"	3.26"	0.70"	2.87"	2.09"	L0
TFNV25B	0.75"	3/4"	EPDM	5.02"	3.60"	0.71"	3.15"	2.44"	L0
TFNV32B	1.00"	1"	EPDM	5.75"	3.97"	0.89"	3.19"	2.80"	L0
TFNV40B	1.25"	1 1/4"	EPDM	6.97"	5.12"	0.93"	3.31"	3.31"	L0
TFNV50B	1.50"	1 1/2"	EPDM	7.52"	5.28"	1.12"	3.25"	3.86"	L0
TFNV20D	0.50"	1/2"	FPM	4.67"	3.26"	0.70"	2.87"	2.09"	L0
TFNV25D	0.75"	3/4"	FPM	5.02"	3.60"	0.71"	3.15"	2.44"	L0
TFNV32D	1.00"	1"	FPM	5.75"	3.97"	0.89"	3.19"	2.80"	L0
TFNV40D	1.25"	1 1/4"	FPM	6.97"	5.12"	0.93"	3.31"	3.31"	L0
TFNV50D	1.50"	1 1/2"	FPM	7.52"	5.28"	1.12"	3.25"	3.86"	L0

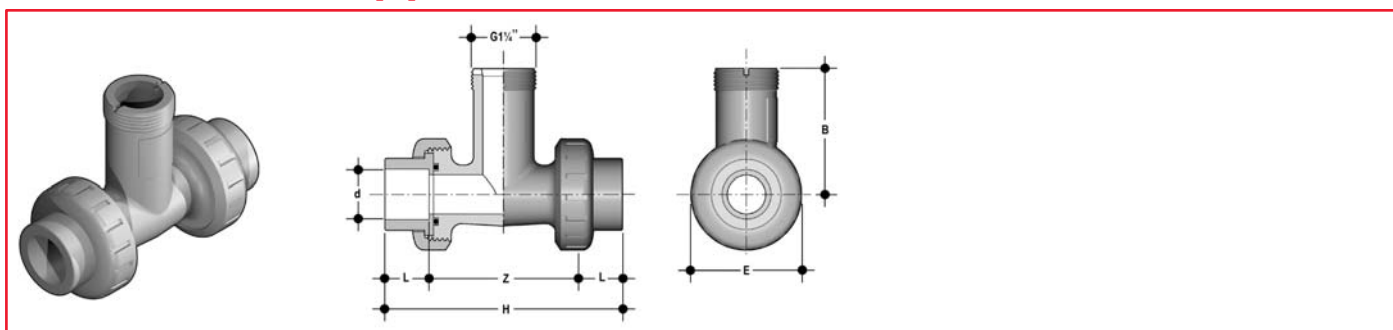
## Installation on PVC pipes



### ASTM SCH. 80 Clamp Saddles

Part No	Size	d	O-Ring	Body	Insert	E	h	H	Drilling hole	Sensor Length
SCAC2.0BVM	2.00"	2.375"	EPDM	CPVC	CPVC	4.57"	3.3"	4.13"	1.38"	L0
SCAC2.5BVM	2.50"	2.875"	EPDM	CPVC	CPVC	5.28"	3.4"	4.13"	1.38"	L0
SCAC3.0BVM	3.00"	3.500"	EPDM	CPVC	CPVC	5.98"	3.6"	4.13"	1.57"	L0
SCAC4.0BVM	4.00"	4.500"	EPDM	CPVC	CPVC	6.93"	4.0"	4.13"	1.57"	L0
SCAC5.0BVM	5.00"	5.520"	EPDM	CPVC	CPVC	8.43"	5.6"	4.49"	1.57"	L1
SCAC6.0BVM	6.00"	6.625"	EPDM	CPVC	CPVC	9.37"	5.9"	4.72"	1.57"	L1
SCAC8.0BVM	8.00"	8.625"	EPDM	CPVC	CPVC	13.11"	6.6"	4.92"	1.57"	L1
SCAC2.0DVM	2.00"	2.375"	FPM	CPVC	CPVC	4.57"	3.3"	4.13"	1.38"	L0
SCAC2.5DVM	2.50"	2.875"	FPM	CPVC	CPVC	5.28"	3.4"	4.13"	1.38"	L0
SCAC3.0DVM	3.00"	3.500"	FPM	CPVC	CPVC	5.98"	3.6"	4.13"	1.57"	L0
SCAC4.0DVM	4.00"	4.500"	FPM	CPVC	CPVC	6.93"	4.0"	4.13"	1.57"	L0
SCAC5.0DVM	5.00"	5.520"	FPM	CPVC	CPVC	8.43"	5.6"	4.49"	1.57"	L1
SCAC6.0DVM	6.00"	6.625"	FPM	CPVC	CPVC	9.37"	5.9"	4.72"	1.57"	L1
SCAC8.0DVM	8.00"	8.625"	FPM	CPVC	CPVC	13.11"	6.6"	4.92"	1.57"	L1

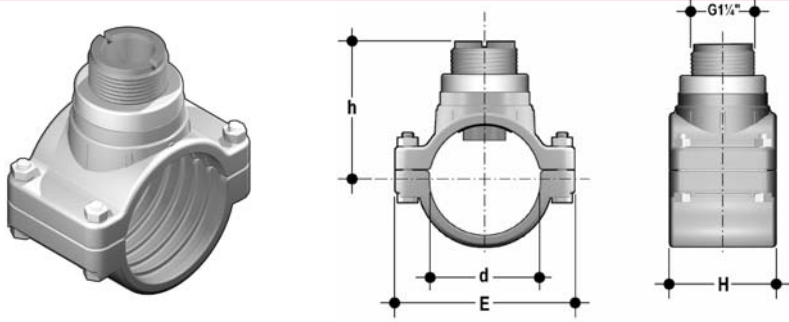
## Installation on CPVC pipes



### ISO Metric CPVC Tee Fittings (female ends for solvent welding)

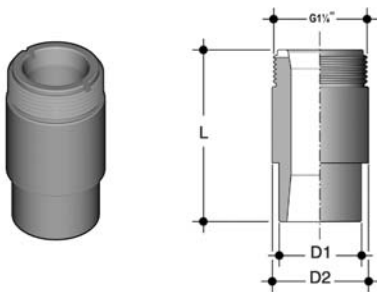
Part No	DN	d	O-Ring	H	Z	L	B	E	Sensor Length
TFIC20B	15	20	EPDM	113	81	16	73	53	L0
TFIC25B	20	25	EPDM	126	88	19	80	62	L0
TFIC32B	25	32	EPDM	139.5	95.5	22	81	71	L0
TFIC40B	32	40	EPDM	170	118	26	84	84	L0
TFIC50B	40	50	EPDM	199	137	31	82.5	98	L0
TFIC20D	15	20	FPM	113	81	16	73	53	L0
TFIC25D	20	25	FPM	126	88	19	80	62	L0
TFIC32D	25	32	FPM	139.5	95.5	22	81	71	L0
TFIC40D	32	40	FPM	170	118	26	84	84	L0
TFIC50D	40	50	FPM	199	137	31	82.5	98	L0

## Installation on CPVC pipes



### ISO Clamp Saddles

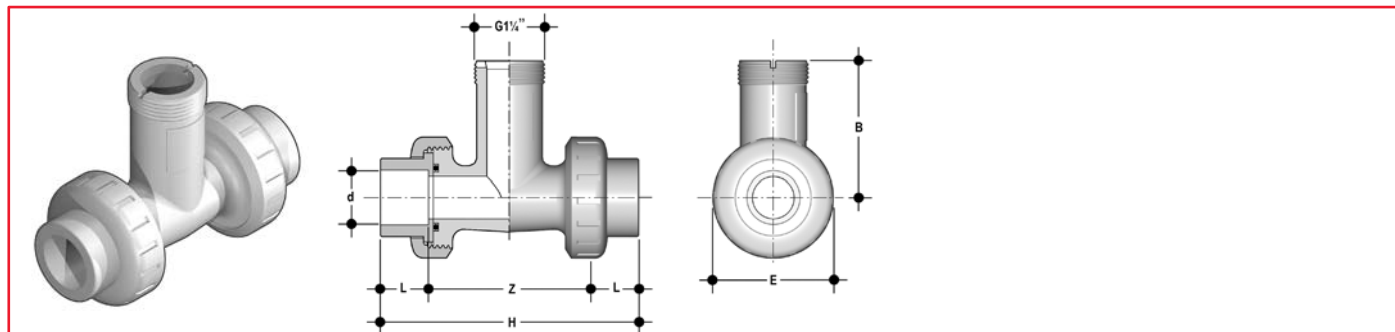
Part No	DN	d	O-Ring	Body	Insert	E	h	H	Drilling hole	Sensor Length
SCIC063BVC	50	63	EPDM	CPVC	CPVC	116	86.7	105	35	L0
SCIC075BVC	65	75	EPDM	CPVC	CPVC	134	90.8	105	35	L0
SCIC090BVC	80	90	EPDM	CPVC	CPVC	152	95.9	105	40	L0
SCIC110BVC	100	110	EPDM	CPVC	CPVC	176	102.8	105	40	L0
SCIC125BVC	110	125	EPDM	CPVC	CPVC	190	137.9	112	40	L1
SCIC140BVC	125	140	EPDM	CPVC	CPVC	214	143.1	114	40	L1
SCIC160BVC	150	160	EPDM	CPVC	CPVC	238	149.9	120	40	L1
SCIC200BVC	180	200	EPDM	CPVC	CPVC	300	163.7	133	40	L1
SCIC225BVC	200	225	EPDM	CPVC	CPVC	333	172.3	125	40	L1
SCIC063DVC	50	63	FPM	CPVC	CPVC	116	86.7	105	35	L0
SCIC075DVC	65	75	FPM	CPVC	CPVC	134	90.8	105	35	L0
SCIC090DVC	80	90	FPM	CPVC	CPVC	152	95.9	105	40	L0
SCIC110DVC	100	110	FPM	CPVC	CPVC	176	102.8	105	40	L0
SCIC125DVC	110	125	FPM	CPVC	CPVC	190	137.9	112	40	L1
SCIC140DVC	125	140	FPM	CPVC	CPVC	214	143.1	114	40	L1
SCIC160DVC	150	160	FPM	CPVC	CPVC	238	149.9	120	40	L1
SCIC200DVC	180	200	FPM	CPVC	CPVC	300	163.7	133	40	L1
SCIC225DVC	200	225	FPM	CPVC	CPVC	333	172.3	125	40	L1
SMIC250IVC	225	250	NBR	PP	CPVC	324	203.5	79	40	L0
SMIC280IVC	250	280	NBR	PP	CPVC	385	212.2	88	40	L1
SMIC315IVC	280	315	NBR	PP	CPVC	385	220.1	88	40	L1



### CPVC Glue-on Fittings

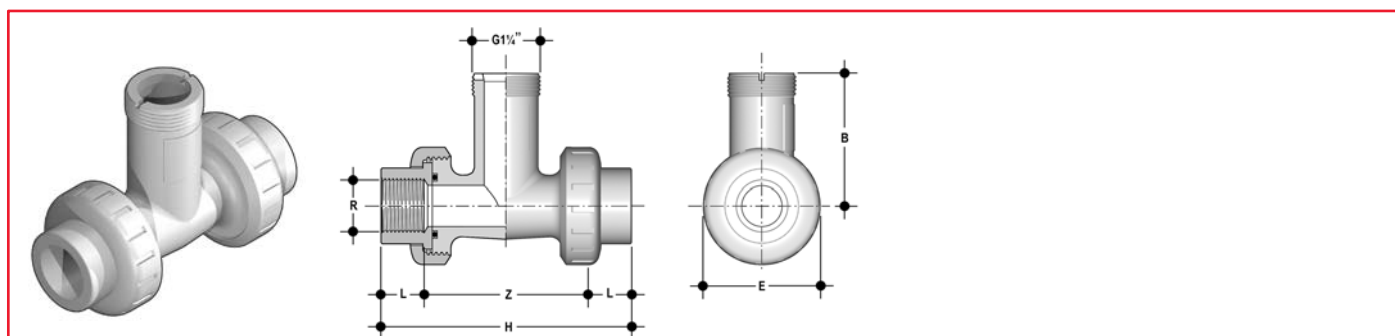
Part No	DN	d	L	D1	D2	Drilling hole	Sensor Length
WAIC063	50	63	68.5	40	50	40	L0
WAIC075	65	75	68.5	40	50	40	L0
WAIC090	80	90	68.5	40	50	40	L0
WAIC110	100	110	68.5	40	50	40	L0
WAIC125	110	125	68.5	40	50	40	L0
WAIC140	125	140	68.5	40	50	40	L0
WAIC160	150	160	68.5	40	50	40	L0
WAIC200	180	200	68.5	40	50	40	L0
WAIC225	200	225	68.5	40	50	40	L0
WAIC250	225	250	98.5	40	50	40	L1
WAIC280	250	280	98.5	40	50	40	L1
WAIC315	280	315	98.5	40	50	40	L1

## Installation on PP pipes



**ISO Metric PP Tee Fittings (female ends for socket welding)**

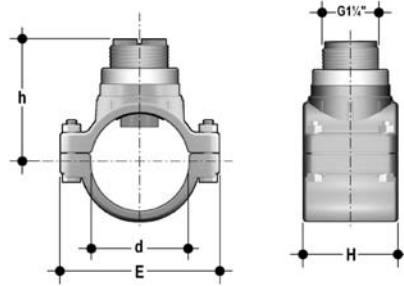
Part No	DN	d	O-Ring	H	Z	L	B	E	Sensor Length
TFIM20B	15	20	EPDM	111	73	14.5	73	53	L0
TFIM25B	20	25	EPDM	120.5	80	16	80	62	L0
TFIM32B	25	32	EPDM	133.5	81	18	81	71	L0
TFIM40B	32	40	EPDM	163.5	84	20.5	84	84	L0
TFIM50B	40	50	EPDM	195	82.5	23.5	82.5	98	L0
TFIM20D	15	20	FPM	111	73	14.5	73	53	L0
TFIM25D	20	25	FPM	120.5	80	16	80	62	L0
TFIM32D	25	32	FPM	133.5	81	18	81	71	L0
TFIM40D	32	40	FPM	163.5	84	20.5	84	84	L0
TFIM50D	40	50	FPM	195	82.5	23.5	82.5	98	L0



**BS Female Threaded PP Tee Fittings (parallel threaded female ends)**

Part No	DN	R	O-Ring	H	Z	L	B	E	Sensor Length
TFFM20B	15	1/2"	EPDM	113	83	15	73	53	L0
TFFM25B	20	3/4"	EPDM	126	93.4	16.3	80	62	L0
TFFM32B	25	1"	EPDM	139.5	101.3	19.1	81	71	L0
TFFM40B	32	1 1/4"	EPDM	170	127.2	21.4	84	84	L0
TFFM50B	40	1 1/2"	EPDM	199	156.2	21.4	82.5	98	L0
TFFM20D	15	1/2"	FPM	113	83	15	73	53	L0
TFFM25D	20	3/4"	FPM	126	93.4	16.3	80	62	L0
TFFM32D	25	1"	FPM	139.5	101.3	19.1	81	71	L0
TFFM40D	32	1 1/4"	FPM	170	127.2	21.4	84	84	L0
TFFM50D	40	1 1/2"	FPM	199	156.2	21.4	82.5	98	L0

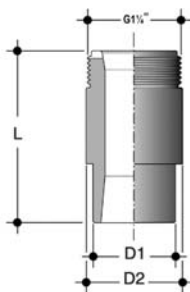
## Installation on PP pipes



### ISO Clamp Saddles

Part No	DN	d	O-Ring	Body	Insert*	E	h	H	Drilling hole	Sensor Length
SCIC063BME	50	63	EPDM	CPVC	CPVC	116	84.3	105	35	L0
SCIC075BME	65	75	EPDM	CPVC	CPVC	134	88.0	105	35	L0
SCIC090BME	80	90	EPDM	CPVC	CPVC	152	92.6	105	40	L0
SCIC110BME	100	110	EPDM	CPVC	CPVC	176	98.8	105	40	L0
SCIC125BME	110	125	EPDM	CPVC	CPVC	190	133.3	112	40	L1
SCIC140BME	125	140	EPDM	CPVC	CPVC	214	138.0	114	40	L1
SCIC160BME	150	160	EPDM	CPVC	CPVC	238	144.1	120	40	L1
SCIC200BME	180	200	EPDM	CPVC	CPVC	300	156.4	133	40	L1
SCIC225BME	200	225	EPDM	CPVC	CPVC	333	164.1	125	40	L1
SCIC063DME	50	63	FPM	CPVC	CPVC	116	84.3	105	35	L0
SCIC075DME	65	75	FPM	CPVC	CPVC	134	88.0	105	35	L0
SCIC090DME	80	90	FPM	CPVC	CPVC	152	92.6	105	40	L0
SCIC110DME	100	110	FPM	CPVC	CPVC	176	98.8	105	40	L0
SCIC125DME	110	125	FPM	CPVC	CPVC	190	133.3	112	40	L1
SCIC140DME	125	140	FPM	CPVC	CPVC	214	138.0	114	40	L1
SCIC160DME	150	160	FPM	CPVC	CPVC	238	144.1	120	40	L1
SCIC200DME	180	200	FPM	CPVC	CPVC	300	156.4	133	40	L1
SCIC225DME	200	225	FPM	CPVC	CPVC	333	164.1	125	40	L1
SMIC250IME	225	250	NBR	PP	CPVC	324	189.9	79	40	L0
SMIC280IME	250	280	NBR	PP	CPVC	385	200.2	88	40	L1
SMIC315IME	280	315	NBR	PP	CPVC	385	209.3	88	40	L1

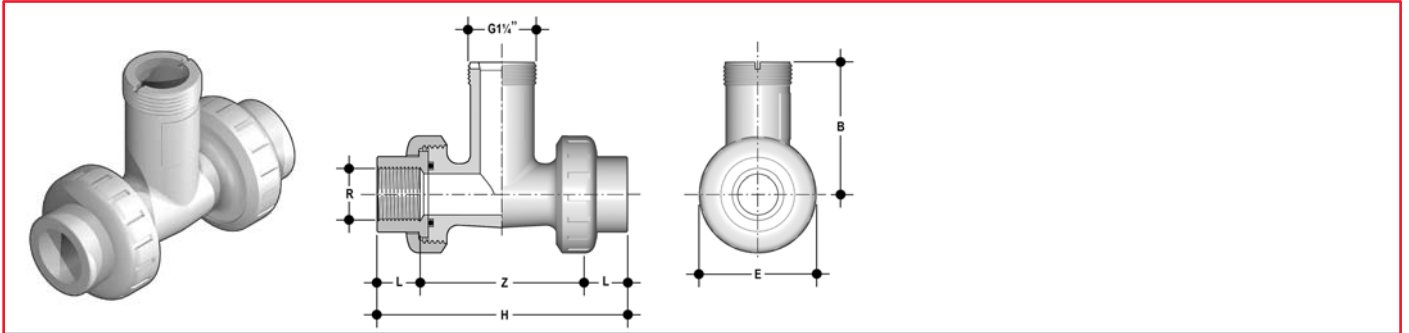
\* PVDF insert available on request



### PP Weld-on Fittings

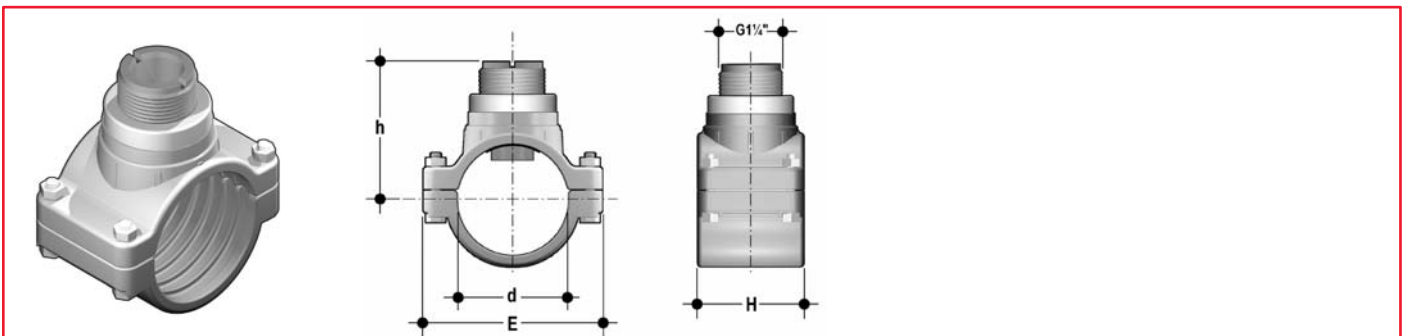
Part No	DN	d	L	D1	D2	Drilling hole	Sensor Length
WAIM063	50	63	68.5	40	50	40	L0
WAIM075	65	75	68.5	40	50	40	L0
WAIM090	80	90	68.5	40	50	40	L0
WAIM110	100	110	68.5	40	50	40	L0
WAIM125	110	125	68.5	40	50	40	L0
WAIM140	125	140	68.5	40	50	40	L0
WAIM160	150	160	68.5	40	50	40	L0
WAIM200	180	200	98.5	40	50	40	L1
WAIM225	200	225	98.5	40	50	40	L1
WAIM250	225	250	98.5	40	50	40	L1
WAIM280	250	280	98.5	40	50	40	L1
WAIM315	280	315	98.5	40	50	40	L1

## Installation on PP pipes



**NPT Female Threaded PP Tee Fittings (NPT threaded female ends)**

Part No	Size	R	O-Ring	H	Z	L	B	E	Sensor Length
TFNM20B	0.50"	1/2"	EPDM	4.45"	3.05"	0.70"	2.87"	2.09"	L0
TFNM25B	0.75"	3/4"	EPDM	4.96"	3.54"	0.71"	3.15"	2.44"	L0
TFNM32B	1.00"	1"	EPDM	5.49"	3.71"	0.89"	3.19"	2.80"	L0
TFNM40B	1.25"	1 1/4"	EPDM	6.69"	4.84"	0.93"	3.31"	3.31"	L0
TFNM50B	1.50"	1 1/2"	EPDM	7.83"	5.59"	1.12"	3.25"	3.86"	L0
TFNM20D	0.50"	1/2"	FPM	4.45"	3.05"	0.70"	2.87"	2.09"	L0
TFNM25D	0.75"	3/4"	FPM	4.96"	3.54"	0.71"	3.15"	2.44"	L0
TFNM32D	1.00"	1"	FPM	5.49"	3.71"	0.89"	3.19"	2.80"	L0
TFNM40D	1.25"	1 1/4"	FPM	6.69"	4.84"	0.93"	3.31"	3.31"	L0
TFNM50D	1.50"	1 1/2"	FPM	7.83"	5.59"	1.12"	3.25"	3.86"	L0



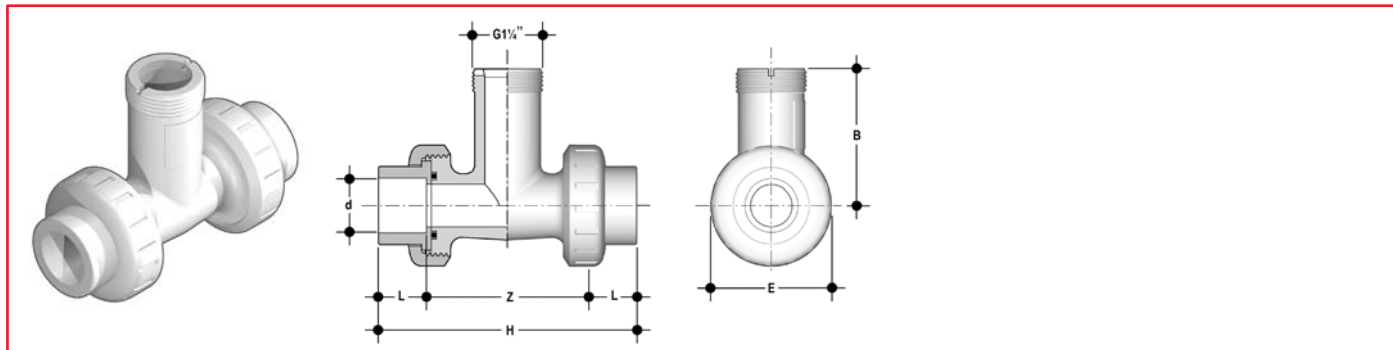
**ASTM SCH. 80 Clamp Saddles**

Part No	Size	d	O-Ring	Body	Insert*	E	h	H	Drilling hole	Sensor Length
SCAC2.0BME	2.00"	2.375"	EPDM	CPVC	CPVC	4.57"	3.29"	4.13"	1.38"	L0
SCAC2.5BME	2.50"	2.875"	EPDM	CPVC	CPVC	5.28"	3.43"	4.13"	1.38"	L0
SCAC3.0BME	3.00"	3.500"	EPDM	CPVC	CPVC	5.98"	3.65"	4.13"	1.57"	L0
SCAC4.0BME	4.00"	4.500"	EPDM	CPVC	CPVC	6.93"	4.00"	4.13"	1.57"	L0
SCAC5.0BME	5.00"	5.520"	EPDM	CPVC	CPVC	8.43"	5.55"	4.49"	1.57"	L1
SCAC6.0BME	6.00"	6.625"	EPDM	CPVC	CPVC	9.37"	5.91"	4.72"	1.57"	L1
SCAC8.0BME	8.00"	8.625"	EPDM	CPVC	CPVC	13.11"	6.61"	4.92"	1.57"	L1
SCAC2.0DME	2.00"	2.375"	FPM	CPVC	CPVC	4.57"	3.29"	4.13"	1.38"	L0
SCAC2.5DME	2.50"	2.875"	FPM	CPVC	CPVC	5.28"	3.43"	4.13"	1.38"	L0
SCAC3.0DME	3.00"	3.500"	FPM	CPVC	CPVC	5.98"	3.65"	4.13"	1.57"	L0
SCAC4.0DME	4.00"	4.500"	FPM	CPVC	CPVC	6.93"	4.00"	4.13"	1.57"	L0
SCAC5.0DME	5.00"	5.520"	FPM	CPVC	CPVC	8.43"	5.55"	4.49"	1.57"	L1
SCAC6.0DME	6.00"	6.625"	FPM	CPVC	CPVC	9.37"	5.91"	4.72"	1.57"	L1
SCAC8.0DME	8.00"	8.625"	FPM	CPVC	CPVC	13.11"	6.61"	4.92"	1.57"	L1

\* PVDF insert available on request

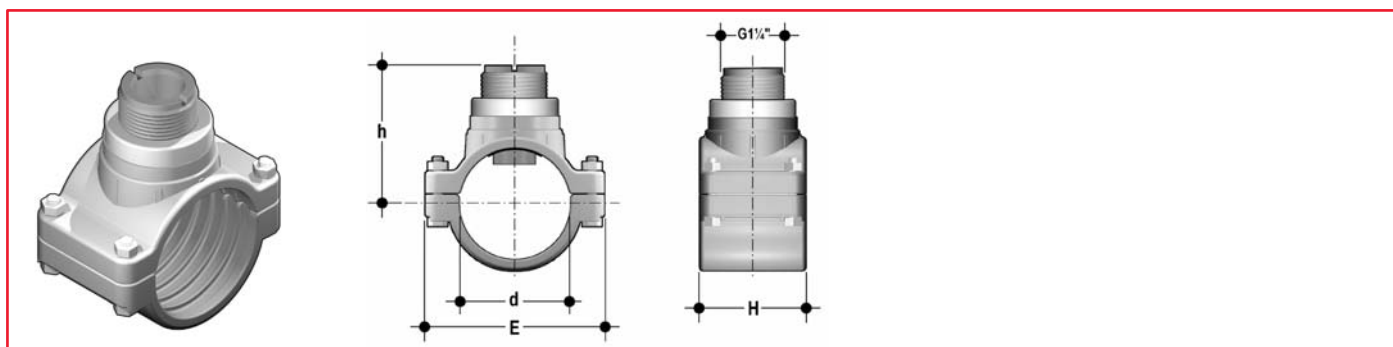


## Installation on PVDF pipes



ISO Metric PVDF Tee Fittings (female ends for socket welding)

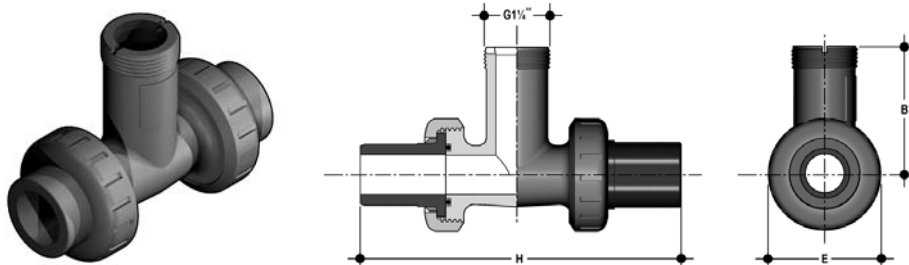
Part No	DN	d	O-Ring	H	Z	L	B	E	Sensor Length
TFIF20B	15	20	EPDM	111	82	14.5	73	53	L0
TFIF25B	20	25	EPDM	120.5	88.5	16	80	62	L0
TFIF32B	25	32	EPDM	133.5	97	18	81	71	L0
TFIF40B	32	40	EPDM	161.5	120.5	20.5	84	84	L0
TFIF50B	40	50	EPDM	193.5	146.5	23.5	82.5	98	L0
TFIF20D	15	20	FPM	111	82	14.5	73	53	L0
TFIF25D	20	25	FPM	120.5	88.5	16	80	62	L0
TFIF32D	25	32	FPM	133.5	97	18	81	71	L0
TFIF40D	32	40	FPM	161.5	120.5	20.5	84	84	L0
TFIF50D	40	50	FPM	193.5	146.5	23.5	82.5	98	L0



ISO Clamp Saddles

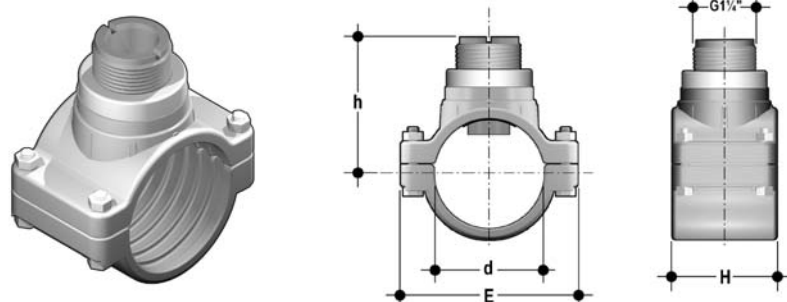
Part No	DN	d	O-Ring	Body	Insert	E	h	H	Drilling hole	Sensor Length
SCIC063BF	50	63	EPDM	CPVC	PVDF	116	87.2	105	35	L0
SCIC075BF	65	75	EPDM	CPVC	PVDF	134	91.5	105	35	L0
SCIC090BF	80	90	EPDM	CPVC	PVDF	152	96.8	105	40	L0
SCIC110BF	100	110	EPDM	CPVC	PVDF	176	104.0	105	40	L0
SCIC125BF	110	125	EPDM	CPVC	PVDF	190	139.3	112	40	L1
SCIC140BF	125	140	EPDM	CPVC	PVDF	214	144.6	114	40	L1
SCIC160BF	150	160	EPDM	CPVC	PVDF	238	151.8	120	40	L1
SCIC200BF	180	200	EPDM	CPVC	PVDF	300	165.9	133	40	L1
SCIC225BF	200	225	EPDM	CPVC	PVDF	333	174.9	125	40	L1
SCIC063DF	50	63	FPM	CPVC	PVDF	116	87.2	105	35	L0
SCIC075DF	65	75	FPM	CPVC	PVDF	134	91.5	105	35	L0
SCIC090DF	80	90	FPM	CPVC	PVDF	152	96.8	105	40	L0
SCIC110DF	100	110	FPM	CPVC	PVDF	176	104.0	105	40	L0
SCIC125DF	110	125	FPM	CPVC	PVDF	190	139.3	112	40	L1
SCIC140DF	125	140	FPM	CPVC	PVDF	214	144.6	114	40	L1
SCIC160DF	150	160	FPM	CPVC	PVDF	238	151.8	120	40	L1
SCIC200DF	180	200	FPM	CPVC	PVDF	300	165.9	133	40	L1
SCIC225DF	200	225	FPM	CPVC	PVDF	333	174.9	125	40	L1

## Installation on PE pipes



ISO Metric PVC Tee Fittings (PE end connectors for electrofusion or butt welding)

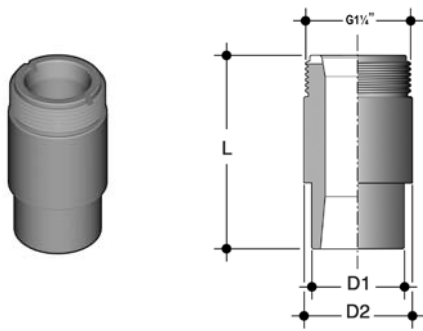
Part No	DN	d	O-Ring	H	B	E	Sensor Length
TFIV20BE	15	20	EPDM	183	73	53	L0
TFIV25BE	20	25	EPDM	223	80	62	L0
TFIV32BE	25	32	EPDM	237	81	71	L0
TFIV40BE	32	40	EPDM	266	84	84	L0
TFIV50BE	40	50	EPDM	295	82.5	98	L0
TFIV20DE	15	20	FPM	183	73	53	L0
TFIV25DE	20	25	FPM	223	80	62	L0
TFIV32DE	25	32	FPM	237	81	71	L0
TFIV40DE	32	40	FPM	266	84	84	L0
TFIV50DE	40	50	FPM	295	82.5	98	L0



ISO Clamp Saddles

Part No	DN	d	O-Ring	Body	Insert	E	h	H	Drilling hole	Sensor Length
SCIC063BME	50	63	EPDM	CPVC	CPVC	116	84.3	105	35	L0
SCIC075BME	65	75	EPDM	CPVC	CPVC	134	88.0	105	35	L0
SCIC090BME	80	90	EPDM	CPVC	CPVC	152	92.6	105	40	L0
SCIC110BME	100	110	EPDM	CPVC	CPVC	176	98.8	105	40	L0
SCIC125BME	110	125	EPDM	CPVC	CPVC	190	133.3	112	40	L1
SCIC140BME	125	140	EPDM	CPVC	CPVC	214	138.0	114	40	L1
SCIC160BME	150	160	EPDM	CPVC	CPVC	238	144.1	120	40	L1
SCIC200BME	180	200	EPDM	CPVC	CPVC	300	156.4	133	40	L1
SCIC225BME	200	225	EPDM	CPVC	CPVC	333	164.1	125	40	L1
SCIC063DME	50	63	FPM	CPVC	CPVC	116	84.3	105	35	L0
SCIC075DME	65	75	FPM	CPVC	CPVC	134	88.0	105	35	L0
SCIC090DME	80	90	FPM	CPVC	CPVC	152	92.6	105	40	L0
SCIC110DME	100	110	FPM	CPVC	CPVC	176	98.8	105	40	L0
SCIC125DME	110	125	FPM	CPVC	CPVC	190	133.3	112	40	L1
SCIC140DME	125	140	FPM	CPVC	CPVC	214	138.0	114	40	L1
SCIC160DME	150	160	FPM	CPVC	CPVC	238	144.1	120	40	L1
SCIC200DME	180	200	FPM	CPVC	CPVC	300	156.4	133	40	L1
SCIC225DME	200	225	FPM	CPVC	CPVC	333	164.1	125	40	L1
SMIC250IME	225	250	NBR	PP	CPVC	324	189.9	79	40	L0
SMIC280IME	250	280	NBR	PP	CPVC	385	200.2	88	40	L1
SMIC315IME	280	315	NBR	PP	CPVC	385	209.3	88	40	L1

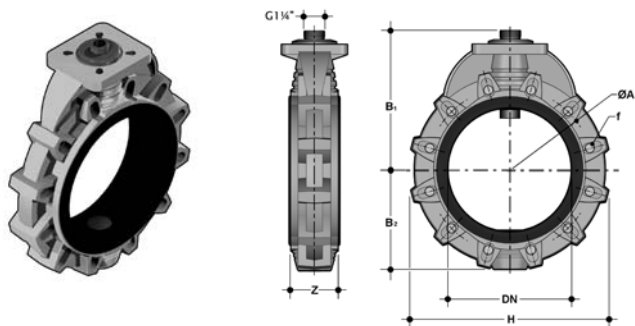
## Installation on PE pipes



### PE Weld-on Fittings

Part No	DN	d	L	D1	D2	Drilling hole	Sensor Length
WAIE063	50	63	68.5	40	50	40	L0
WAIE075	65	75	68.5	40	50	40	L0
WAIE090	80	90	68.5	40	50	40	L0
WAIE110	100	110	68.5	40	50	40	L0
WAIE125	110	125	68.5	40	50	40	L0
WAIE140	125	140	68.5	40	50	40	L0
WAIE160	150	160	68.5	40	50	40	L0
WAIE200	180	200	98.5	40	50	40	L1
WAIE225	200	225	98.5	40	50	40	L1
WAIE250	225	250	98.5	40	50	40	L1
WAIE280	250	280	98.5	40	50	40	L1
WAIE315	280	315	98.5	40	50	40	L1

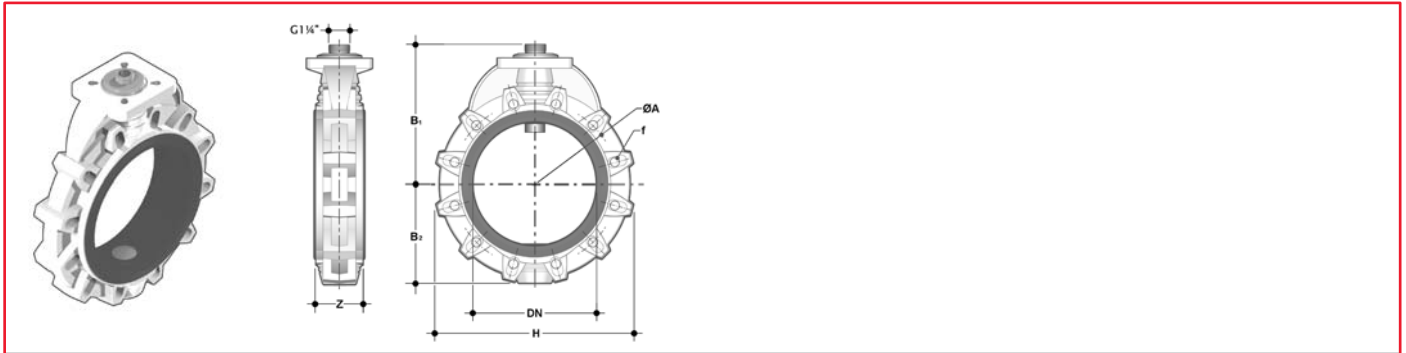
## Special installation on DN 250 and DN 300 pipes



### PVC Wafer Fittings

Part No	DN	d	O-ring	Body	Insert	H	Z	B1	B2	Φ A min.	Φ A max	f.	Sensor Length
WVIC280B	250	280	EPDM	PVC	CPVC	405	114	270	210	335	362	25.4	L0
WVIC315B	300	315	EPDM	PVC	CPVC	475	114	327	245	390	432	29	L0
WVIC280D	250	280	FPM	PVC	CPVC	405	114	270	210	335	362	25.4	L0
WVIC315D	300	315	FPM	PVC	CPVC	475	114	327	245	390	432	29	L0

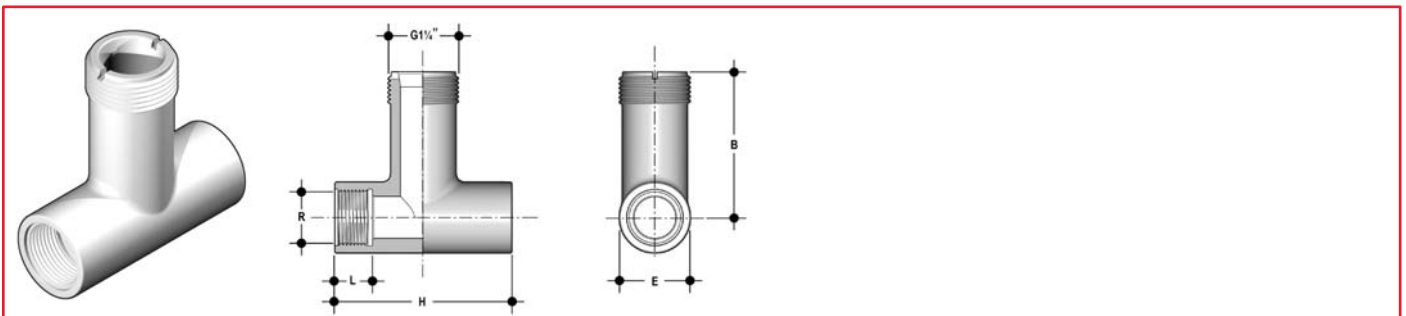
## Special installation on DN 250 and DN 300 pipes



### PP Wafer Fittings

Part No	DN	d	O-ring	Body	Insert	H	Z	B1	B2	Φ A min.	Φ A max	f.	Sensor Length
WFIC280B	250	280	EPDM	GR-PP	CPVC	405	114	270	210	335	362	25.4	L0
WFIC315B	300	315	EPDM	GR-PP	CPVC	475	114	327	245	390	432	29	L0
WFIC280D	250	280	FPM	GR-PP	CPVC	405	114	270	210	335	362	25.4	L0
WFIC315D	300	315	FPM	GR-PP	CPVC	475	114	327	245	390	432	29	L0

## Metal Fittings



### 316L SS Threaded Tees (BSP Parallel Female Threads)

Part No	DN	R	H	L	B	E	Sensor Length
TFFX25	20	0.75"	95	20	81.2	42	L0
TFFX32	25	1.00"	105	22.5	81.2	42	L0
TFFX40	32	1.25"	120	20.5	83.8	54	L0



### Metal Strap-on Saddles

Part No	DN	O. D. min	O. D. max	Body	Insert	O-ring	h	Drilling hole	Sensor Length
SZIC080I	80	88	104	Cast iron + SS	CPVC	NBR	153	40	L0
SZIC100I	100	112	126	Cast iron + SS	CPVC	NBR	160	40	L0
SZIC125I	125	140	154	Cast iron + SS	CPVC	NBR	170	40	L0
SZIC150I	150	168	184	Cast iron + SS	CPVC	NBR	180	40	L0
SZIC200I	200	218	244	Cast iron + SS	CPVC	NBR	228	40	L1
SZIC250I	250	272	295	Cast iron + SS	CPVC	NBR	247	40	L1
SZIC300I	300	322	354	Cast iron + SS	CPVC	NBR	266	40	L1
SZIC350I	350	356	414	Cast iron + SS	CPVC	NBR	305	40	L1
SZIC400I	400	406	472	Cast iron + SS	CPVC	NBR	324	40	L1
SZIC450I	450	457	534	Cast iron + SS	CPVC	NBR	343	40	L1

## Metal Fittings



### Hot-Tap Metal Strap-on Saddles

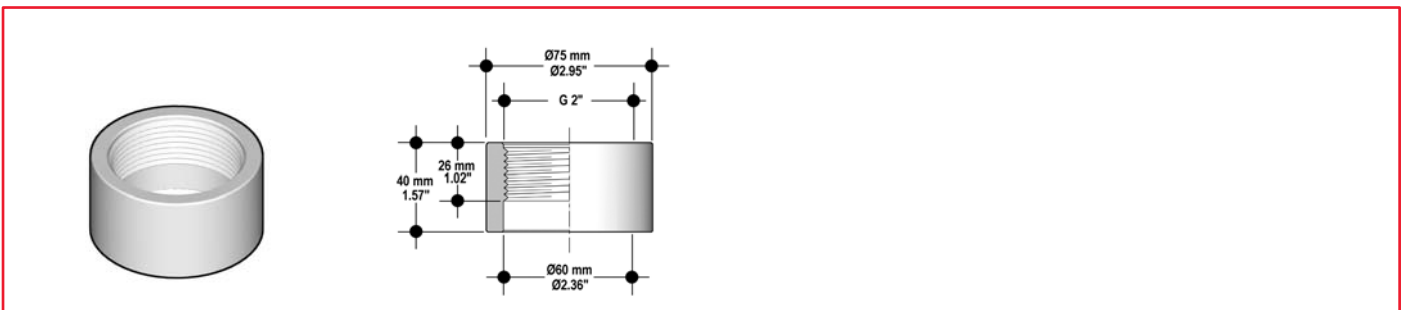
Part No	DN	O. D. min	O. D. max	Body	Size (BSP)	O-ring	h
SZIC080IHT	80	88	104	Cast iron + SS	2.00"	NBR	160
SZIC100IHT	100	112	126	Cast iron + SS	2.00"	NBR	170
SZIC125IHT	125	140	154	Cast iron + SS	2.00"	NBR	172
SZIC150IHT	150	168	184	Cast iron + SS	2.00"	NBR	172
SZIC200IHT	200	218	244	Cast iron + SS	2.00"	NBR	177
SZIC250IHT	250	272	295	Cast iron + SS	2.00"	NBR	175
SZIC300IHT	300	322	354	Cast iron + SS	2.00"	NBR	178
SZIC350IHT	350	356	414	Cast iron + SS	2.00"	NBR	178
SZIC400IHT	400	406	472	Cast iron + SS	2.00"	NBR	171
SZIC450IHT	450	457	534	Cast iron + SS	2.00"	NBR	180

Big sizes available on request



### 316L SS Weld-on Adapters

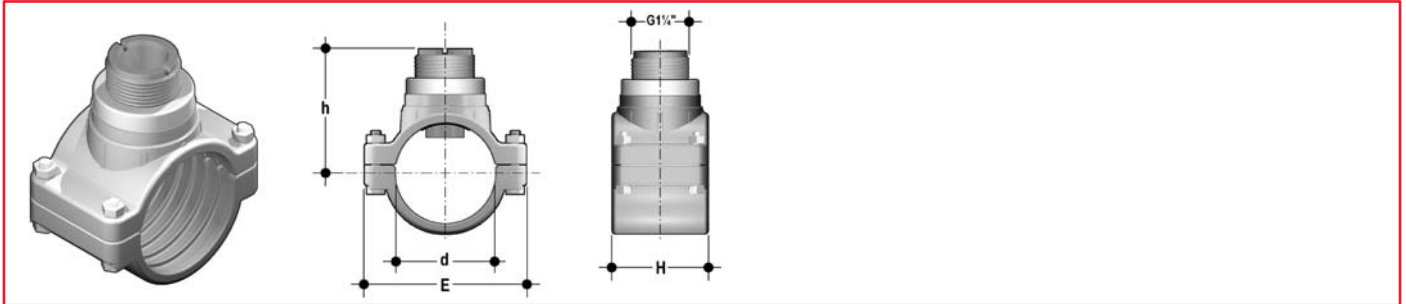
Part No	DN min	DN max	L	D	Sensor Length
WAIXL0	40	200	68.5	43.8	L0
WAIXL1	225	600	98.5	43.8	L1



### Hot-Tap 316L SS Weld-on Adapters (for F111 only)

Part No	DN min.	O. D. min	Size (BSP)
WAIXHT	350	400	2.00"

## Installation on PVC pipes



### ISO Metric Clamp Saddles

Part No	DN	d	O-Ring	Body	Insert	E	h	H	Drilling hole	Sensor Length
SEIC063DVC	50	63	FPM	CPVC	CPVC	116	111.5	105	35	M2
SEIC075DVC	65	75	FPM	CPVC	CPVC	134	113	105	35	M2
SEIC090DVC	80	90	FPM	CPVC	CPVC	152	118	105	40	M2
SEIC110DVC	100	110	FPM	CPVC	CPVC	176	123	105	40	M2
SEIC125DVC	110	125	FPM	CPVC	CPVC	190	127	112	40	M2
SEIC140DVC	125	140	FPM	CPVC	CPVC	214	131	114	40	M2
SEIC160DVC	150	160	FPM	CPVC	CPVC	238	181	120	40	M3
SEIC200DVC	180	200	FPM	CPVC	CPVC	300	191	133	40	M3
SEIC225DVC	200	225	FPM	CPVC	CPVC	333	197	125	40	M3

### BS Clamp Saddles

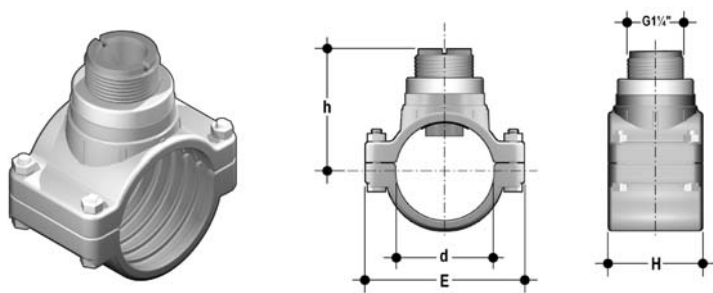
Part No	DN	d	O-Ring	Body	Insert	E	h	H	Drilling hole	Sensor Length
SELC2.0DMV	50	2"	FPM	CPVC	CPVC	116	110.2	105	35	M2
SELC3.0DMV	80	3"	FPM	CPVC	CPVC	152	117.1	105	40	M2
SELC4.0DMV	100	4"	FPM	CPVC	CPVC	176	123.7	105	40	M2
SELC6.0DMV	150	6"	FPM	CPVC	CPVC	238	182.8	120	40	M3
SELC8.0DMV	200	8"	FPM	CPVC	CPVC	333	194.5	125	40	M3

### ASTM SCH. 80 Clamp Saddles

Part No	Size	d	O-Ring	Body	Insert	E	h	H	Drilling hole	Sensor Length
SEAC2.0DMV	2.00"	2.375"	FPM	CPVC	CPVC	4.57"	4.26"	4.13"	1.38"	M2
SEAC2.5DMV	2.50"	2.875"	FPM	CPVC	CPVC	5.28"	4.30"	4.13"	1.38"	M2
SEAC3.0DMV	3.00"	3.500"	FPM	CPVC	CPVC	5.98"	4.52"	4.13"	1.57"	M2
SEAC4.0DMV	4.00"	4.500"	FPM	CPVC	CPVC	6.93"	4.79"	4.13"	1.57"	M2
SEAC5.0DMV	5.00"	5.520"	FPM	CPVC	CPVC	8.43"	5.07"	4.49"	1.57"	M2
SEAC6.0DMV	6.00"	6.625"	FPM	CPVC	CPVC	9.37"	7.13"	4.72"	1.57"	M3
SEAC8.0DMV	8.00"	8.625"	FPM	CPVC	CPVC	13.11"	7.59"	4.92"	1.57"	M3

# Installation

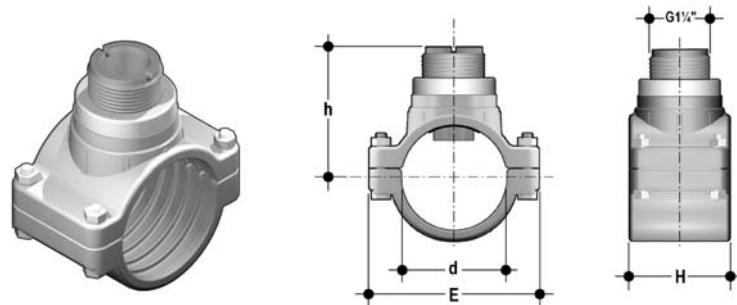
## Installation on CPVC pipes



### ISO Metric Clamp Saddles

Part No	DN	d	O-Ring	Body	Insert	E	h	H	Drilling hole	Sensor Length
SEIC063DVC	50	63	FPM	CPVC	CPVC	116	111.5	105	35	M2
SEIC075DVC	65	75	FPM	CPVC	CPVC	134	113	105	35	M2
SEIC090DVC	80	90	FPM	CPVC	CPVC	152	118	105	40	M2
SEIC110DVC	100	110	FPM	CPVC	CPVC	176	123	105	40	M2
SEIC125DVC	110	125	FPM	CPVC	CPVC	190	127	112	40	M2
SEIC140DVC	125	140	FPM	CPVC	CPVC	214	131	114	40	M2
SEIC160DVC	150	160	FPM	CPVC	CPVC	238	181	120	40	M3
SEIC200DVC	180	200	FPM	CPVC	CPVC	300	191	133	40	M3
SEIC225DVC	200	225	FPM	CPVC	CPVC	333	197	125	40	M3

## Installation on PP pipes



### ISO Metric Clamp Saddles

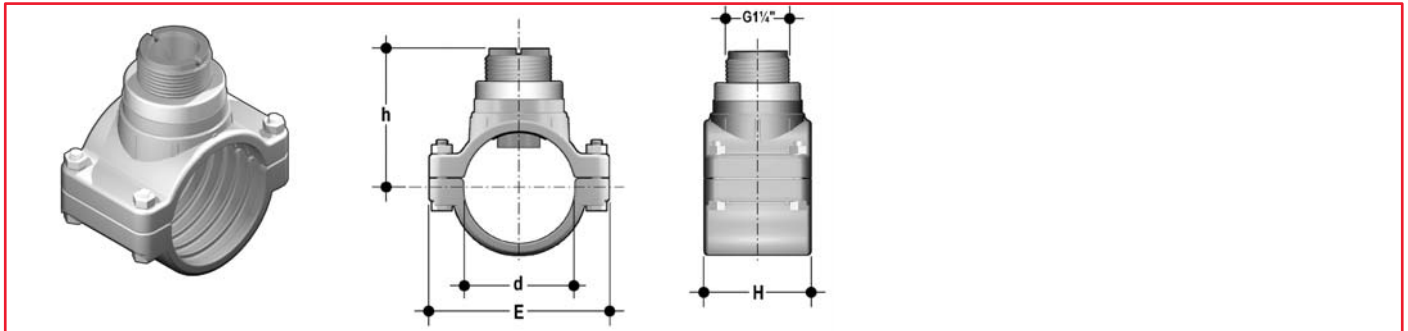
Part No	DN	d	O-Ring	Body	Insert	E	h	H	Drilling hole	Sensor Length
SEIC063DME	50	63	FPM	CPVC	CPVC	116	109.1	105	35	M2
SEIC075DME	65	75	FPM	CPVC	CPVC	134	110.3	105	35	M2
SEIC090DME	80	90	FPM	CPVC	CPVC	152	114.7	105	40	M2
SEIC110DME	100	110	FPM	CPVC	CPVC	176	119.0	105	40	M2
SEIC125DME	110	125	FPM	CPVC	CPVC	190	122.4	112	40	M2
SEIC140DME	125	140	FPM	CPVC	CPVC	214	125.9	114	40	M2
SEIC160DME	150	160	FPM	CPVC	CPVC	238	175.1	120	40	M3
SEIC200DME	180	200	FPM	CPVC	CPVC	300	183.7	133	40	M3
SEIC225DME	200	225	FPM	CPVC	CPVC	333	188.8	125	40	M3

### ASTM SCH. 80 Clamp Saddles

Part No	Size	d	O-Ring	Body	Insert	E	h	H	Drilling hole	Sensor Length
SEAC2.0DMV	2.00"	2.375"	FPM	CPVC	CPVC	4.57"	4.26"	4.13"	1.38"	M2
SEAC2.5DMV	2.50"	2.875"	FPM	CPVC	CPVC	5.28"	4.30"	4.13"	1.38"	M2
SEAC3.0DMV	3.00"	3.500"	FPM	CPVC	CPVC	5.98"	4.52"	4.13"	1.57"	M2
SEAC4.0DMV	4.00"	4.500"	FPM	CPVC	CPVC	6.93"	4.79"	4.13"	1.57"	M2
SEAC5.0DMV	5.00"	5.520"	FPM	CPVC	CPVC	8.43"	5.07"	4.49"	1.57"	M2
SEAC6.0DMV	6.00"	6.625"	FPM	CPVC	CPVC	9.37"	7.13"	4.72"	1.57"	M3
SEAC8.0DMV	8.00"	8.625"	FPM	CPVC	CPVC	13.10"	7.59"	4.92"	1.57"	M3

\*PVDF insert available on request

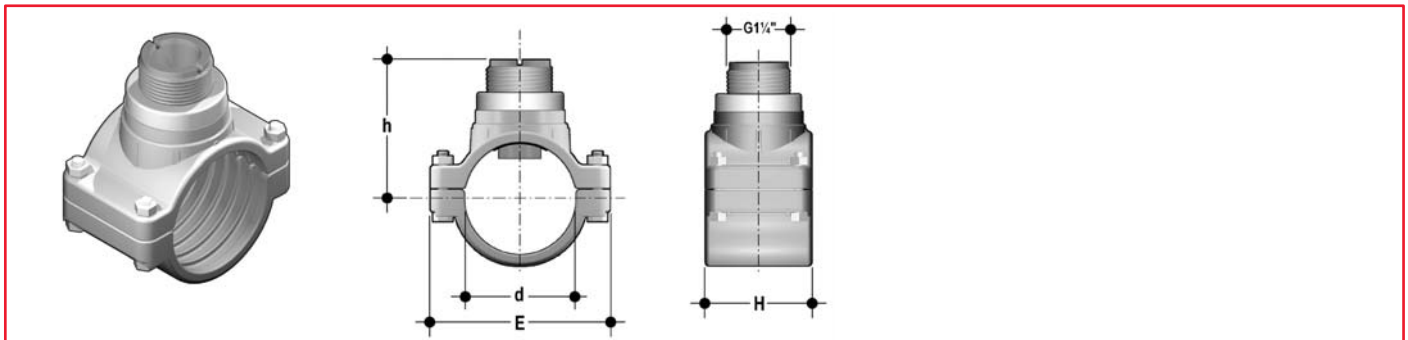
## Installation on PVDF pipes



### ISO Metric Clamp Saddles

Part No	DN	d	O-Ring	Body	Insert	E	h	H	Drilling hole	Sensor Length
SEIF063DF	50	63	FPM	CPVC	PVDF	116	112.0	105	35	M2
SEIF075DF	65	75	FPM	CPVC	PVDF	134	113.8	105	35	M2
SEIF090DF	80	90	FPM	CPVC	PVDF	152	118.9	105	40	M2
SEIF110DF	100	110	FPM	CPVC	PVDF	176	124.2	105	40	M2
SEIF125DF	110	125	FPM	CPVC	PVDF	190	128.4	112	40	M2
SEIF140DF	125	140	FPM	CPVC	PVDF	214	132.5	114	40	M2
SEIF160DF	150	160	FPM	CPVC	PVDF	238	182.8	120	40	M3
SEIF200DF	180	200	FPM	CPVC	PVDF	300	193.2	133	40	M3
SEIF225DF	200	225	FPM	CPVC	PVDF	333	199.6	125	40	M3

## Installation on PE pipes



### ISO Metric Clamp Saddles

Part No	DN	d	O-Ring	Body	Insert	E	h	H	Drilling hole	Sensor Length
SEIC063DME	50	63	FPM	CPVC	CPVC	116	109.1	105	35	M2
SEIC075DME	65	75	FPM	CPVC	CPVC	134	110.3	105	35	M2
SEIC090DME	80	90	FPM	CPVC	CPVC	152	114.7	105	40	M2
SEIC110DME	100	110	FPM	CPVC	CPVC	176	119.0	105	40	M2
SEIC125DME	110	125	FPM	CPVC	CPVC	190	122.4	112	40	M2
SEIC140DME	125	140	FPM	CPVC	CPVC	214	125.9	114	40	M2
SEIC160DME	150	160	FPM	CPVC	CPVC	238	175.1	120	40	M3
SEIC200DME	180	200	FPM	CPVC	CPVC	300	183.7	133	40	M3
SEIC225DME	200	225	FPM	CPVC	CPVC	333	188.8	125	40	M3